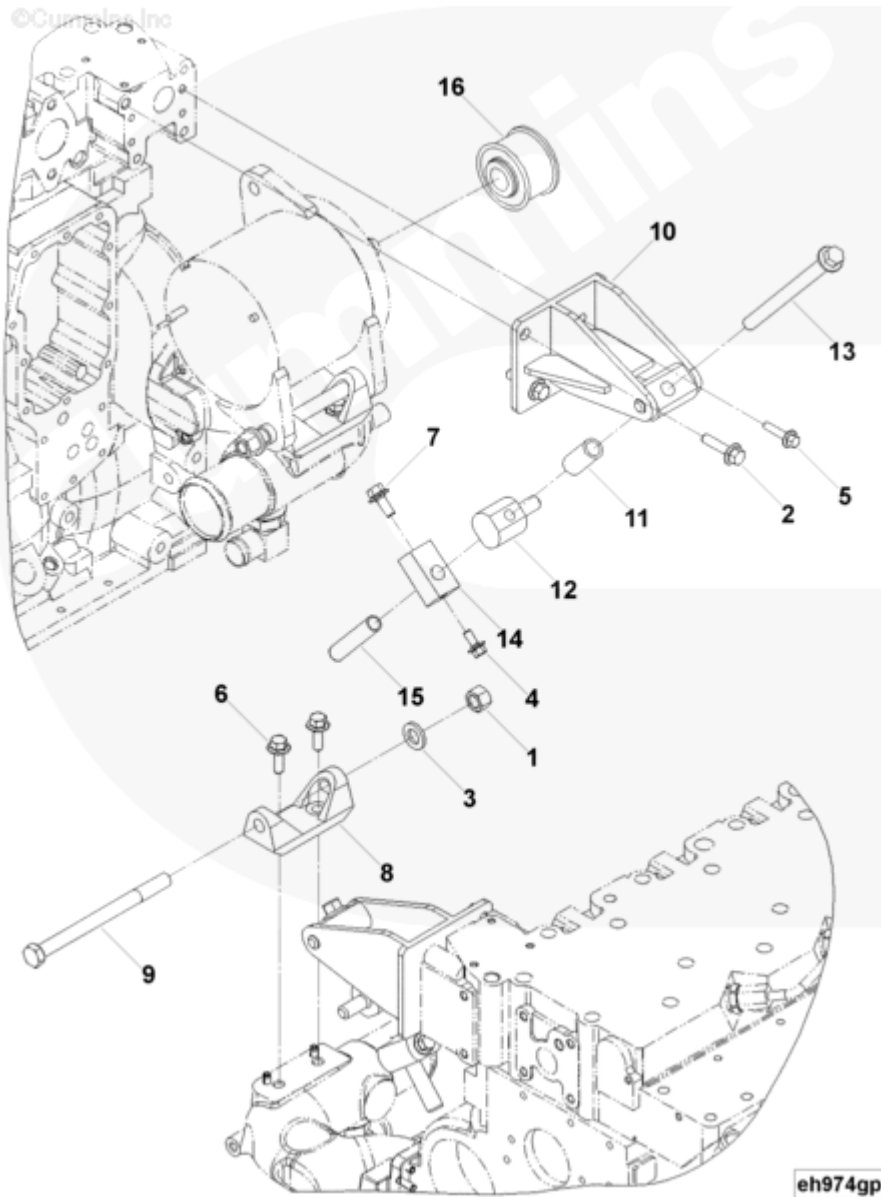




Parts Catalog - Option Detail

Electronic Parts Catalog - Option Detail				
Option	Group	Graphic	Film Card	Date
EH97983	13.02.3	eh974gp	T	25-MAR-13
Engines	4B3.9, 6A3.4, 6B5.9, B GAS INTERNATIONAL CM556, B4.5, B4.5 CM2350 B129B, B4.5 CM2350 B146C, B4.5 CM2350 B147B, B4.5 RGT, B4.5S, B5.9 G, B5.9 GAS PLUS CM556, B5.9 LPG, B5.9 LPG PLUS CM556, B6.7 CM2350 B121B, B6.7 CM2350 B135B, B6.7 CM2350 B136C, B6.7 CM2350 B148B, B6.7 G CMOH6.0 B125, B6.7N CM2380 B150B, B6.7S, F3.8 CM2350 F120B, F3.8 CM2350 F128C, F3.8 CM2350 F132B, F3.8 F102, G3.9, G5.9, G5.9 CM558, ISB (CHRYSLER), ISB CM2150, ISB CM2150 E, ISB CM550, ISB CM850, ISB/ISD4.5 CM2150 B119, ISB/ISD4.5 CM2150 SN, ISB/ISD6.7 CM2150 B120, ISB/ISD6.7 CM2150 SN, ISB/ISD6.7 CM2880 B126, ISB3.9 CM2220 B107, ISB4.5 CM2150, ISB5.9G CM2180, ISB6.7 2010 DCX PICKUP, ISB6.7 2013 DCX CHASSIS CAB, ISB6.7 CM2150 SQ, ISB6.7 CM2250, ISB6.7 CM2350 B101, ISB6.7 CM2350 B103, ISB6.7 CM2350 B142, ISB6.7 CM2670 B153B, ISB6.7 G CM2180 B118, ISBE CM2150, ISBE CM800, ISBE2/ISBE3 CM850, ISBE4 CM850, ISD4.5 CM2150, ISD6.7 CM2880 D101, ISF2.8 CM2220, ISF2.8 CM2220 AN, ISF2.8 CM2220 EC, ISF2.8 CM2220 ECF2, ISF2.8 CM2220 F101, ISF2.8 CM2220 F117, ISF2.8 CM2220 F122, ISF2.8 CM2220 F126, ISF2.8 CM2220 F129, ISF2.8 CM2220 IAN, ISF3.8 CM2220, ISF3.8 CM2220 AN, ISF3.8 CM2220 F103, ISF3.8 CM2220 F110, ISF3.8 CM2220 F116, ISF3.8 CM2220 F134B, ISF3.8 CM2220 IAN, ISF3.8 CM2350 F109, ISF4.5 CM2220 F123, ISG11 CM2880 G106, ISG11 CM2880 G108, ISG12 CM2880 G107, ISG12 CM2880 G109, ISG12 G CMOH6.0 G111, QSB3.9 30 CM550, QSB3.9 CM2880 B138, QSB4.5 30 CM550, QSB4.5 CM2150 B108, QSB4.5 CM2250 B131, QSB4.5 CM2250 EC, QSB4.5 CM2350 B106, QSB4.5 CM2350 B122			



SMALL | MEDIUM | LARGE

Cart	Ref No	Part Number	Part Description	Required	Remarks
<input type="button" value="View My Cart"/>					
		EH97983	Alternator Mounting		Alternator Mounting...(More)
					to suit alternator
					manufacturing/model: Delco
					22si, and Prestolite Leece
					Neville mda 3927 alternator
					support type: 98.5mm spool
					alternator centerline from
					engine centerline (mm): -289
					alternator centerline from

					crank centerline (mm): 256
					alternator pulley diameter
					over 2.5mm balls (mm): 61.13
					alternator pulley groove
					type: Poly vee 8rib k
					alternator drive ratio:
					3.27:1 alternator pulley
					location: Front face of
					block to centerline of first
					groove (mm): 52
					Crank Pulley Diameter Over
<input type="checkbox"/>	1	70897	Lock Nut	1	1/2 - 20 UNF
<input type="checkbox"/>	2	3089016	Hexagon Flange Head Cap Screw	3	M10 X 1.50 X 35.
<input type="checkbox"/>	3	3895517	Plain Washer	1	
<input type="checkbox"/>	4	3925883	Hexagon Flange Head Cap Screw	1	M8 X 1.25 X 16
<input type="checkbox"/>	5	3902114	Hexagon Flange Head Cap Screw	1	M8 X 1.25 X 30.
<input type="checkbox"/>	6	3902460	Hexagon Flange Head Cap Screw	2	M10 X 1.50 X 25.
<input type="checkbox"/>	7	3903990	Hexagon Flange Head Cap Screw	1	M10 X 1.50 X 20.
<input type="checkbox"/>	8	3969163	Alternator Support	1	
<input type="checkbox"/>	9	4022822	Hexagon Head Cap Screw	1	
<input type="checkbox"/>	10	5311079	Alternator Bracket	1	
<input type="checkbox"/>	11	5288612	Mounting Spacer	1	
<input type="checkbox"/>	12	5288613	Adjusting Screw Retainer	1	
<input type="checkbox"/>	13	5288614	Hexagon Flange Head Cap Screw	1	
<input type="checkbox"/>	14	5294168	Adjusting Link Bracket	1	
<input type="checkbox"/>	15	5301997	Protective Cover	1	
<input type="checkbox"/>	16	3918275	Alternator Pulley	1	